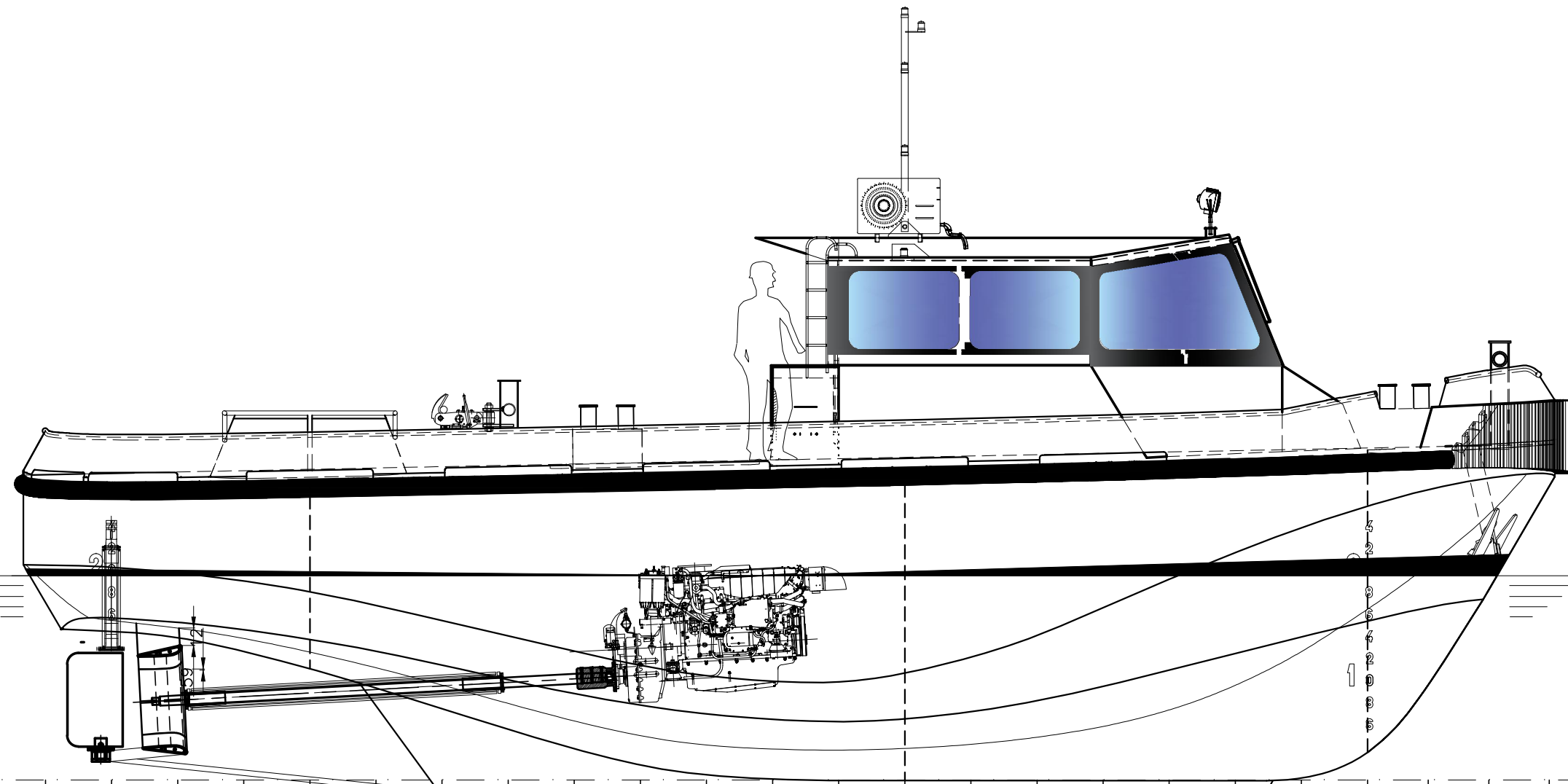
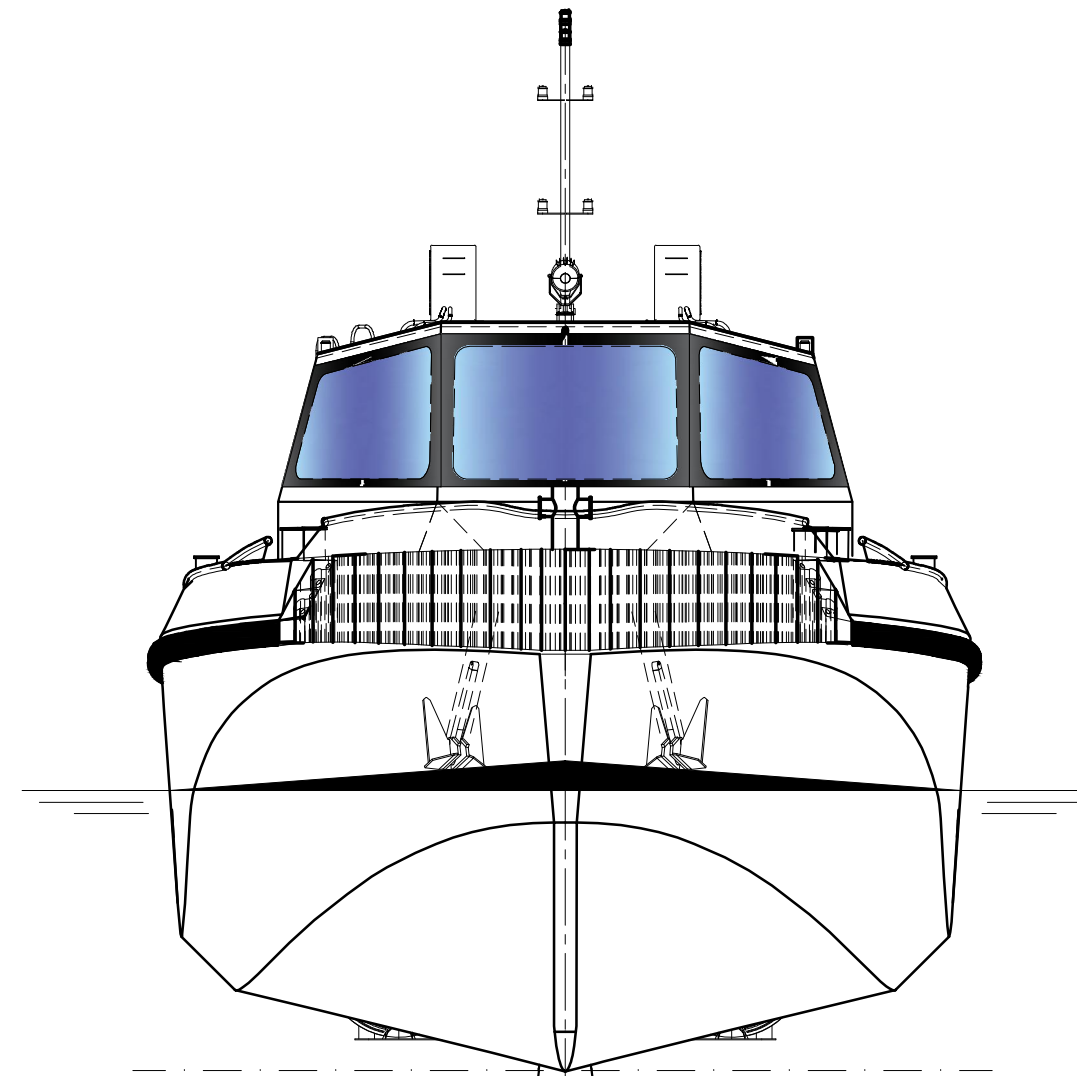


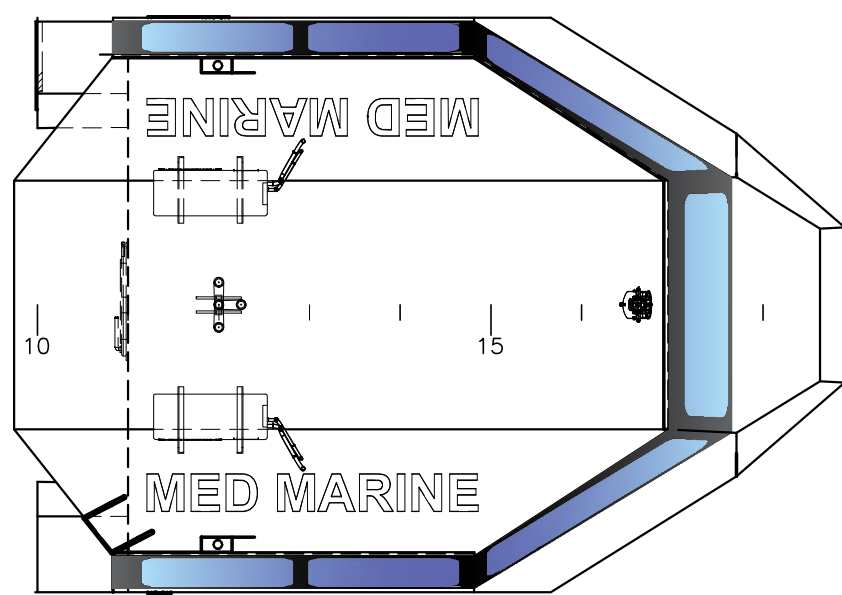
AFT VIEW



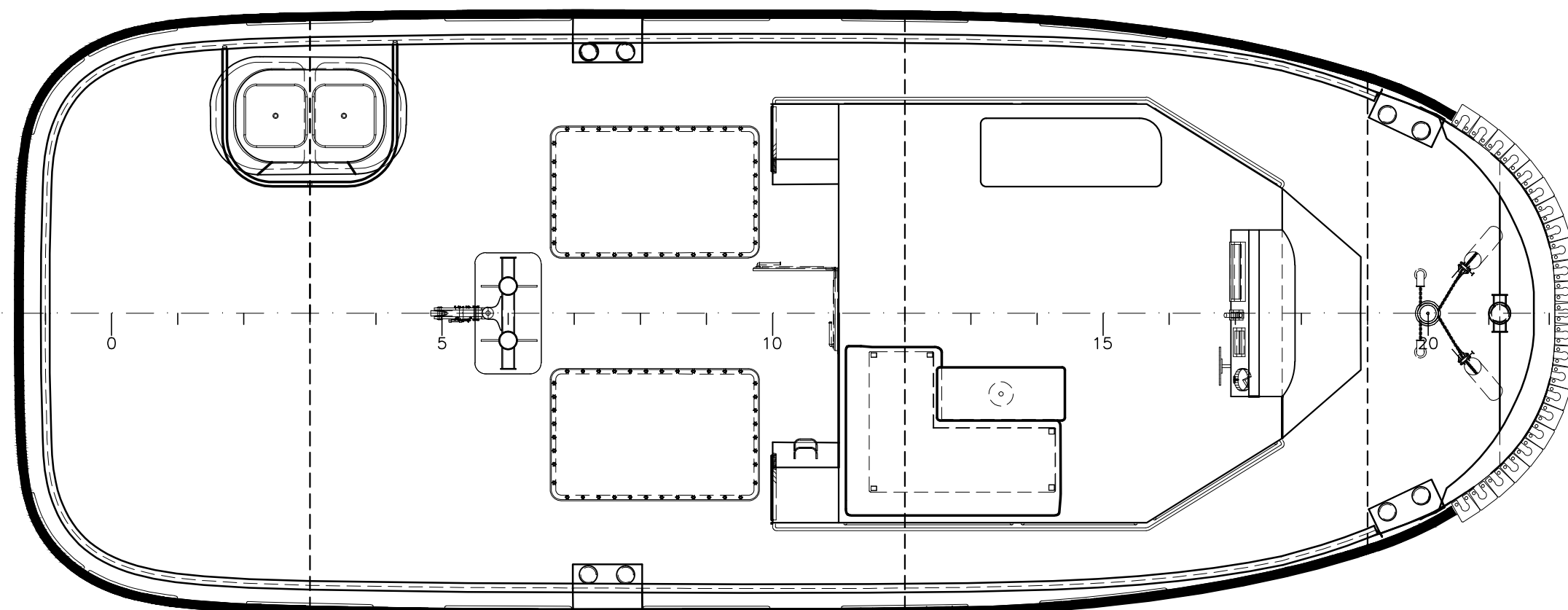
PROFILE VIEW



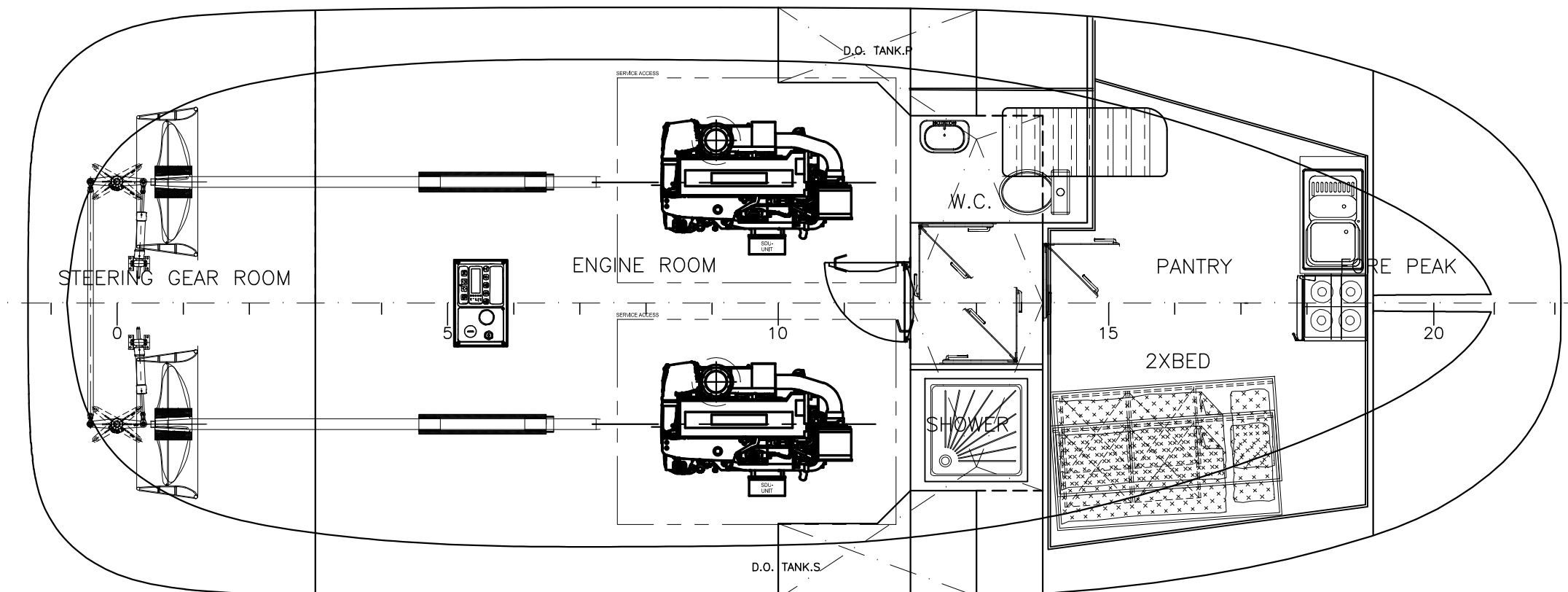
FRONT VIEW



COMPASS DECK PLAN VIEW



MAIN DECK PLAN VIEW



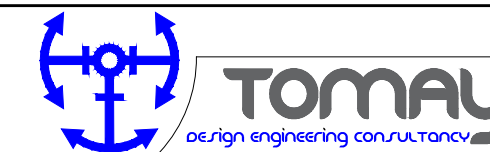
BOTTOM VIEW

02			
01			
No	Date	Rev. By.	Revision Note

MAIN DIMENSIONS	
Length O.A. (inc. fenders)	: 14.061m
Length (Hull)	: 13.900m
Length W.L.	: 13.318m
Length P.P.	: 12.574m
Breadth (inc. fenders)	: 5.508m
Breadth (Hull)	: 5.363m
Depth at midship	: 2.866m
Draught (Approx.)	: 1.855m
Engine Power	: 2x355kW
Bollard Pull	: 10 t
Max. height above water	: 3m

APPROVAL STAMP

NOTATIONS	
RINA C	Mooring Boat, Coastal Navigation



MOORING BOAT

TBN-TUG-07
GENERAL ARRANGEMENT

Design	Teoman TOMBAK	Shipyard	EREGLI SHIPYARD
Drawn	A. Burak KABASAKAL	Owner	MED MARINE
Control	Teoman TOMBAK	Class	RINA-97386
Approved		Hull No	ER66
THIS DESIGN AND ITS COPYRIGHTS ARE PROPERTIES OF TEOMAN TOMBAK/TOMAY THE DRAWINGS & SPECIFICATIONS CONTAINED HEREIN SHALL NOT BE REPRODUCED IN WHOLE OR IN PART, OR NOT TO BE GIVEN TO THIRD PARTIES WITHOUT WRITTEN PERMISSION FROM TEOMAN TOMBAK / TOMAY		Project No	TUG-07
BU DIZAYN VE BUNUNLA ILGILI RESIMLERIN TELIF HAKLARI EDMAN TOMBAK A AITIR. TEOMAN TOMBAK'IN YAZILI MUSADESI OLMADAN BU DOKUMAN VEYA BUNUN BIR KISMI UCUNCU SAHSLARA VERILEMEZ, TEKSIR VEYA KOPIYA EDILEMEZ VE HER NE MAKSATLA OLSUN MAKSADI DISINDA KULLANILAMAZ		Drawing No	R-01
		Scale	1/50
		Issue Date	19/01/2018